

## FILTER UNITS FOR WOODWASTE MK RANGE

*The process could not be simpler for the collection of chipboard and MDF sawdust to wood chippings.*

All these units are fitted with powerful, self-cleaning fans to transport the waste material through a ductwork system into the unit for separation.

On entering the unit the bulk waste spins into polythene bags and the finer dust is filtered through Highglaze Terylene Needlefelt media to allow the air to return to the working area without heat loss.

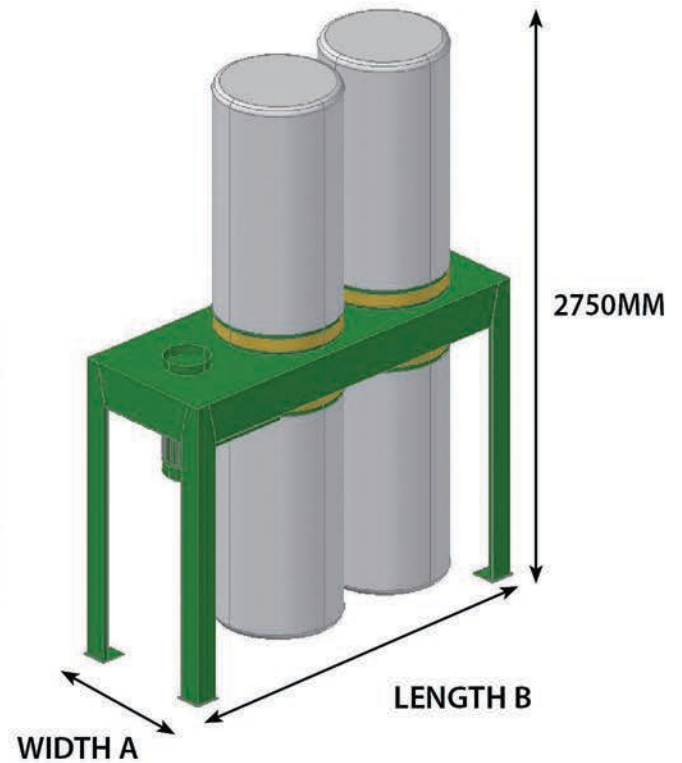
Each unit is fitted with Inventair special swirl baffles which maximises even bag fill evenly with waste. The units are supplied with their own D.O.L starter and spare polybags.



### Features

- Simple Design
- Unique Swirl Baffles
- Small Footprint
- Robust Manufacture

We hold a full range of spare filters, polythene bags etc. All available on request.  
 Technical help is just a phone call away



### MK RANGE - PERFORMANCE

UNIT REF	WIDTH A	LENGTH B	MOTOR KW	VOLUME M <sup>3</sup> /H	PRESSURE MM	FILTER AREA M <sup>2</sup>	BAG CAPACITY M <sup>3</sup>	WEIGHT KG	INLET SIZE
MK 1 (Mini)	550	950	1.5	1444	—	1.86	0.24	95	150 Ø
MK 1 (1ph)	725	1170	2.2	1869	152.4	2.5	0.35	95	205 Ø
MK 1 (3ph)	725	1170	2.2	1869	152.4	2.5	0.35	95	205 Ø
MK 2	725	1950	3	3058	178	5	0.7	165	225 Ø
MK 3	725	2740	5.5	4248	178	7.5	1.0	245	250 Ø
MK4	725	3440	7.5	5947	230	10	1.4	325	315 Ø
MK6	800	4750	11	7136	359	15	2.1	400	350 Ø

Special units are available on request to suit your requirements E.g height restrictions, weather proofing, bins etc.

### Electrical Requirements

All the units in the Mk range come complete with D.O.L starter up to 7.5KW, thereafter star delta.